

Welcome to the AccessibilityOnline Webinar Series



A collaborative program between the
ADA National Network and the
U.S. Access Board



The Session is Scheduled to begin at 2:30pm Eastern Time
We will be testing sound quality periodically

Audio and Visual are provided through the on-line webinar system. This session is closed captioned. Individuals may also listen via telephone by dialing 1-712-432-3100 code 930098 (This is **not** a Toll Free number)

The content and materials of this training are property of the US Access Board and the Great Lakes ADA Center and cannot be used and/or distributed without permission. This program is funded through a contract agreement with the U.S. Access Board. For permission to use training content or obtain copies of materials used as part of this program please contact us by email at adata@adagreatlakes.org or toll free (877)232-1990 (V/TTY)

www.AccessibilityOnline.org

1



Listening to the Webinar



- The audio for today's webinar is being broadcast through your computer. Please make sure your speakers are turned on or your headphones are plugged in.
- You can control the audio broadcast via the Audio & Video panel. You can adjust the sound by "sliding" the sound bar left or right.
- If you are having sound quality problems check your audio controls by going through the Audio Wizard which is accessed by selecting the microphone icon on the Audio & Video panel



2



Listening to the Webinar, *continued*

If you do not have sound capabilities on your computer or prefer to listen by phone, dial:

1-712-432-3100

**Pass Code:
930098**

This is **not** a Toll Free number

3



Listening to the Webinar, *continued*

MOBILE Users (iPhone, iPad, or Android device and Kindle Fire HD)

Individuals may listen** to the session using the Blackboard Collaborate Mobile App (Available Free from the Apple Store, Google Play or Amazon)




**Closed Captioning is not visible via the Mobile App and limited accessibility for screen reader/Voiceover users

4



Captioning

- Real-time captioning is provided during this webinar.
- The caption screen can be accessed by choosing the  icon in the Audio & Video panel. ↓



- Once selected you will have the option to resize the captioning window, change the font size and save the transcript.

5



Submitting Questions

- You may type and submit questions in the Chat Area Text Box or press Control-M and enter text in the Chat Area
- If you are connected via a mobile device you may submit questions in the chat area within the App
- If you are listening by phone and not logged in to the webinar, you may ask questions by emailing them to webinars@accessibilityonline.org



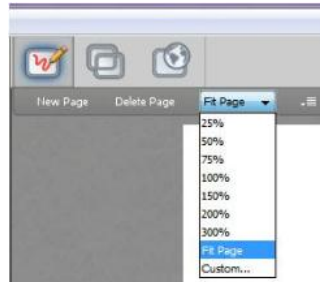
Please note: This webinar is being recorded and can be accessed on the AccessibilityOnline website at www.accessibilityonline.org/Archives within 24 hours after the conclusion of the session.

6



Customize Your View


- Resize the Whiteboard where the Presentation slides are shown to make it smaller or larger by choosing from the drop down menu located above and to the left of the whiteboard. The default is “fit page”



7



Customize Your View *continued*

- Resize/Reposition the Chat, Participant and Audio & Video panels by “detaching” and using your mouse to reposition or “stretch/shrink”. Each panel may be detached using the  icon in the upper right corner of each panel.

8

Setting Preferences

- Depending on your system settings you may receive visual and audible notifications when individuals enter/leave the webinar room or when other actions are taken by participants. This can be distracting.
- To turn off notifications (audible/visual)
 - Select “Edit” from the tool bar at the top of your screen
 - From the drop down menu select “Preferences”
 - Scroll down to “General”
 - select “Audible Notifications” Uncheck anything you don’t want to receive and “apply”
 - Select “Visual Notifications” Uncheck anything you don’t want to receive and “apply”
 - For Screen Reader User – Set preferences through the setting options within the Activity Window (Ctrl+slash opens the activity window)

9



Technical Assistance



- If you experience any technical difficulties during the webinar:
 1. Send a private chat message to the host by double clicking “Great Lakes ADA” in the participant list. A tab titled “Great Lakes ADA” will appear in the chat panel. Type your comment in the text box and “enter” (Keyboard - F6, Arrow up or down to locate “Great Lakes ADA” and select to send a message); or
 2. Email webinars@accessibilityonline.org ; or
 3. Call 877-232-1990 (V/TTY)

10

Accessible Toilet and Bathing Facilities

Advanced Session

11



Presenters



Marsha Mazz
Director
Office of Technical and
Information Services



Jim Pecht
Accessibility
Specialist

12

Session Agenda

- **Toilet Rooms and Fixtures**
- **Bathing Rooms and Fixtures**
- **Questions**

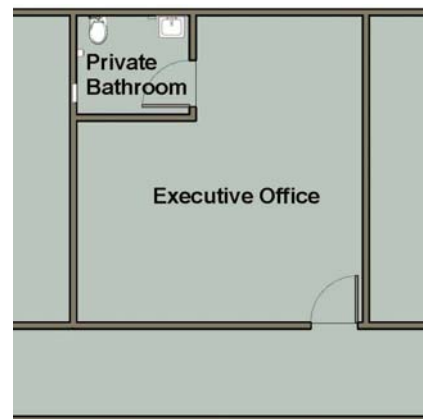
13

Private Toilet Rooms

“Adaptable” access permitted

- **private use(not common use)**
- **single occupant**
- **accessed only through private office**

(clarified in the new *ADA-ABA standards*)



14

Private Toilet Rooms

Adaptability allows:

- **later provision of grab bars
(reinforcement/ blocking)**
- **alternative toilet seat & lavatory heights**
- **removable base cabinetry at lavatories**
- **door swing into fixture clearances
(where swing can be reversed)**

15

Private Toilet Rooms

All spatial requirements of the Standard (clear floor space, clearances, turning space, and door maneuvering space) must be provided at the time of new construction.

16

Toilet Rooms in Series

New ADA-ABA standards:

allow access to at least 50% of single user toilet rooms clustered at one location that serve same users

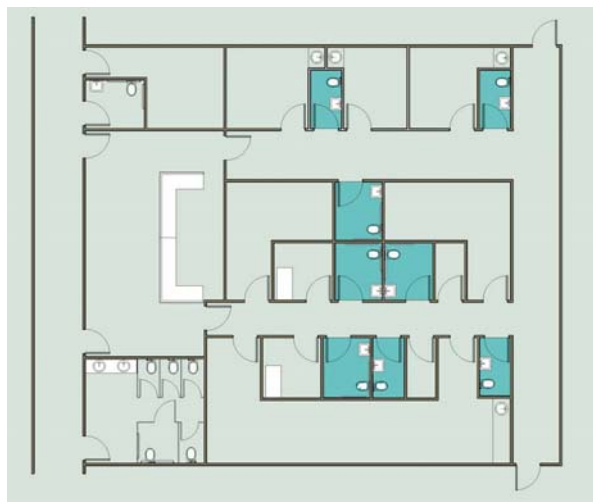
Note: This exception does NOT apply to clustered bathing rooms

(Original ADAAG requires access to all)

17

Clustered Toilet Rooms

Example: medical office suite



18

Alterations

Standards apply based on:

- **planned scope of work (what you are touching)**
- **technical feasibility**
- **primary function areas/ path of travel**

19

Alterations

Limited alterations: standards apply element-by-element

Minimum number: all public and common use affected by an alteration

20

Alterations

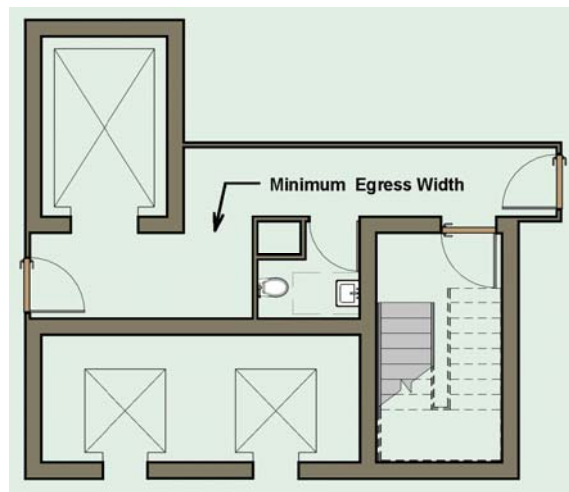
“Technical Infeasibility” =
Existing physical/site constraints that
prohibit compliance

Example: removing fixture to create
accessible stall conflicts with existing
plumbing code

21

Alterations

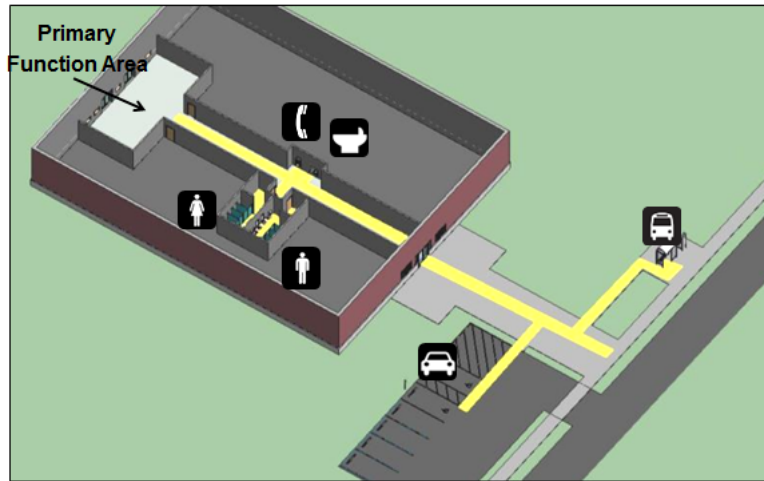
Space limitations and technical infeasibility



22

Alterations

Example of "path of travel"



23

Door Maneuvering Clearances



Recess: 8" max.



Recess: greater than 8"

24

Doors in Series

48" min. separation between swing of doors



25

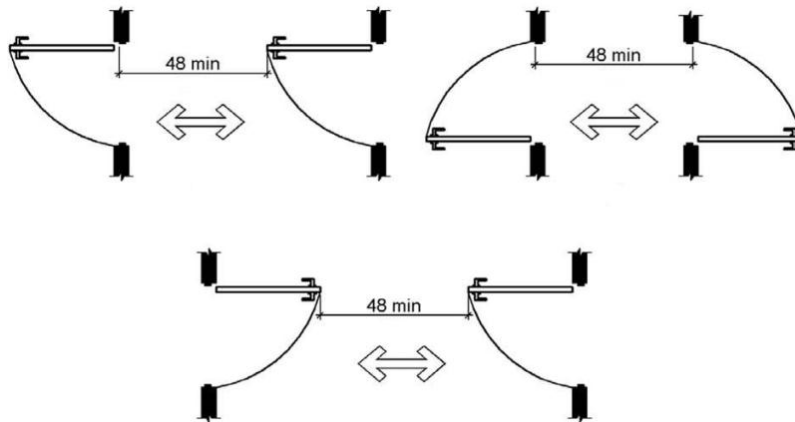
Door Closers



26

Doors in Series

Requirement applies in all cases
(same direction, in-swinging, out-swinging)



Door Surface

Bottom 10" must be smooth (full width of door)



Kick plates can be used to protect door

28

Power Door Controls



Wheelchair space at controls must be outside the door swing

29

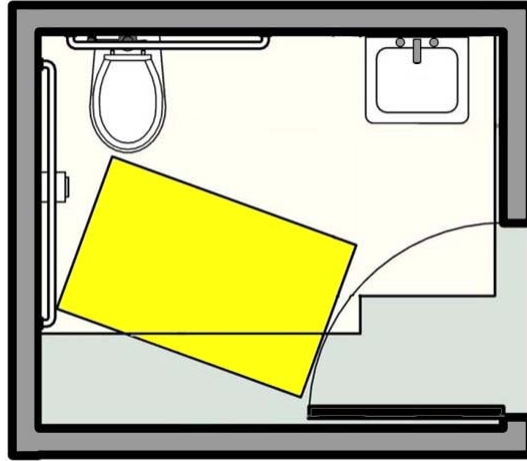
Power Door Controls



Control on adjacent wall/post can provide easier access

30

Toilet Rooms

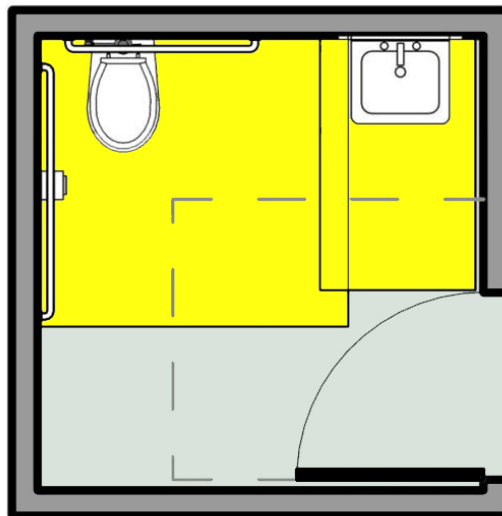


Doors can swing into fixture clearances if clear floor space (30" x 48" min.) provided outside swing

31

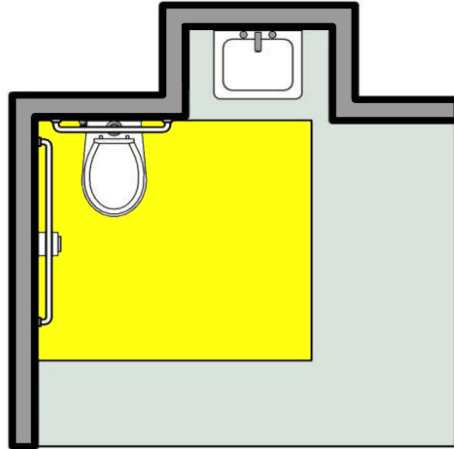
Toilet Rooms

Fixtures can no longer encroach into the clear floor space of the toilet.



32

Optional Recessed Fixture

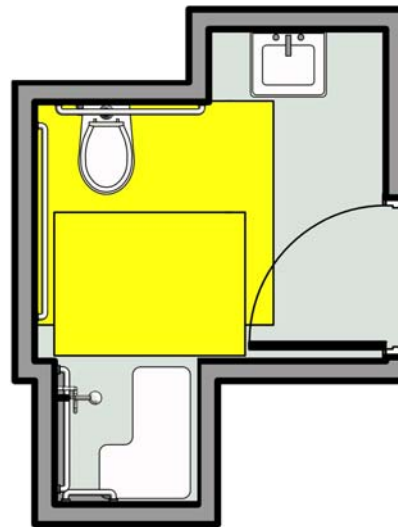


**Toilet with Lavatory
Recessed Out of Clear Floor Space**

33

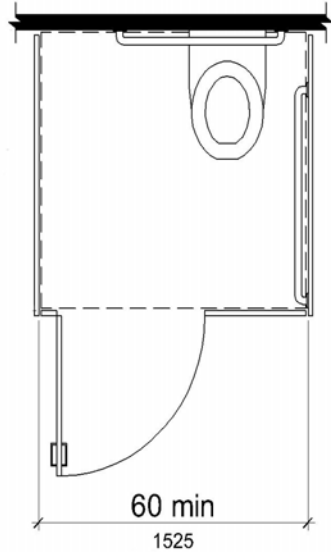
Optional Recessed Fixture

**Toilet with
Transfer Shower
Recessed Out of
Clear Floor Space**



34

Wheelchair Compartments



Standard Stall
60" min. wide

depth:

- 56" min. (wall hung toilet)
- 59" min. (floor-mounted or children's toilet)

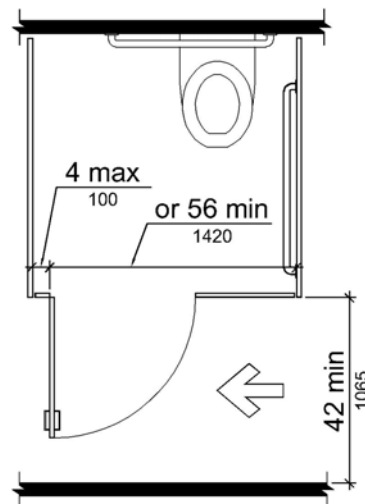
Door:

Self closing with door pulls on both side near the latch

35

Wheelchair Compartment Doors

**Standard
Compartment:
ANSI A117.1
requirements
allows the door to
be 56 inches
minimum from
side wall or
partition closest
to the water
closet.**



36

Visual Alarms

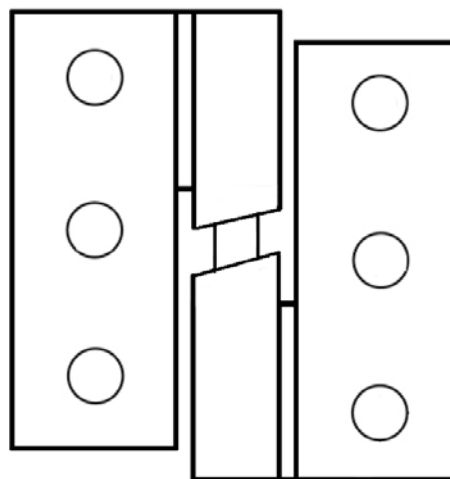
Where fire alarm systems are required, visual appliances must be located in public and common use spaces including toilet and bathing facilities.



37

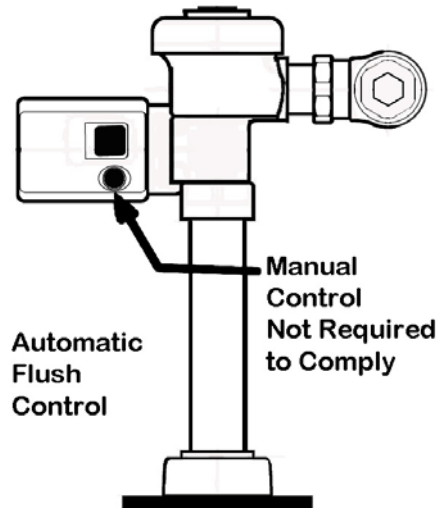
Toilet Rooms

Gravity hinges are not considered closers or spring hinges and do not need to comply with 404.2.8.



38

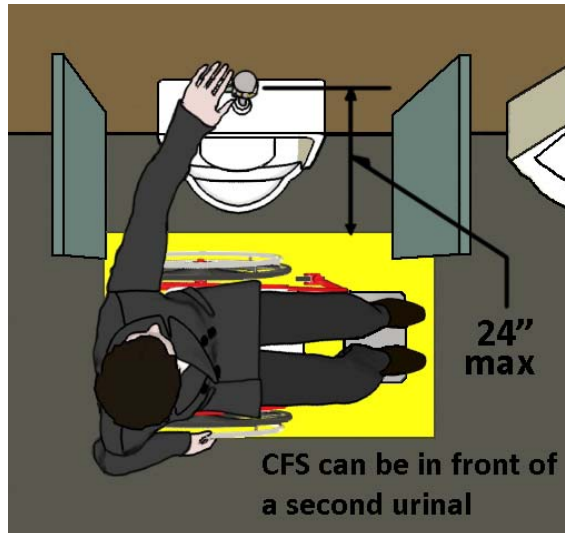
Flush Controls



39

Urinals

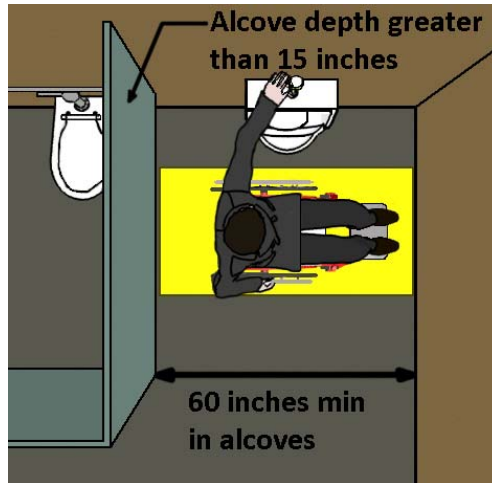
Clear floor space (CFS) for the flush control may be different from the CFS for the urinal itself.



40

Urinals

Alcove requirements apply to accessible controls for urinals.



41

Grab Bars



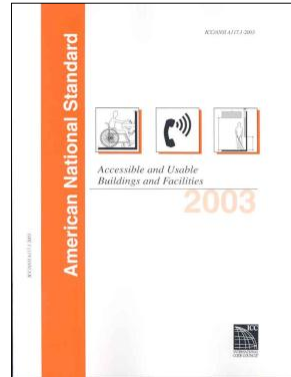
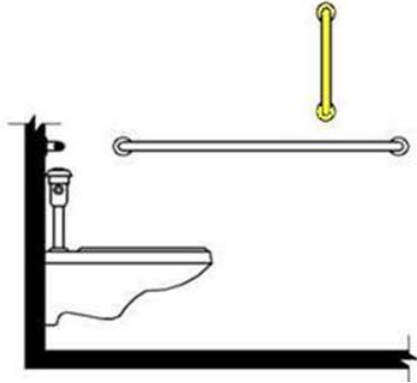
Clearances around, above, and below grab bars help ensure usability.

Notice the use of the wall as well as the grab bar for positioning and stability.

42

Grab Bars

ANSI A117.1 requires 18" min. vertical grab bar
(ADA and ABA guidelines do not)



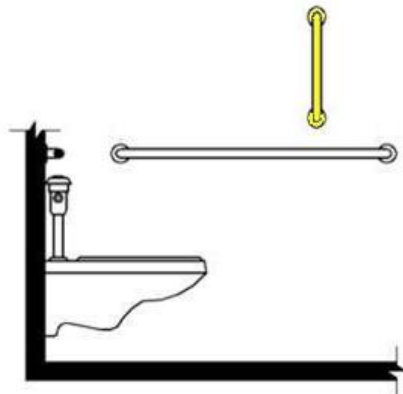
43

Grab Bars

609.3 Spacing

EXCEPTION:

The space between the grab bar and the shower controls, shower fittings, and other grab bars shall be permitted to be 1 ½ inches minimum.



44

Grab Bars

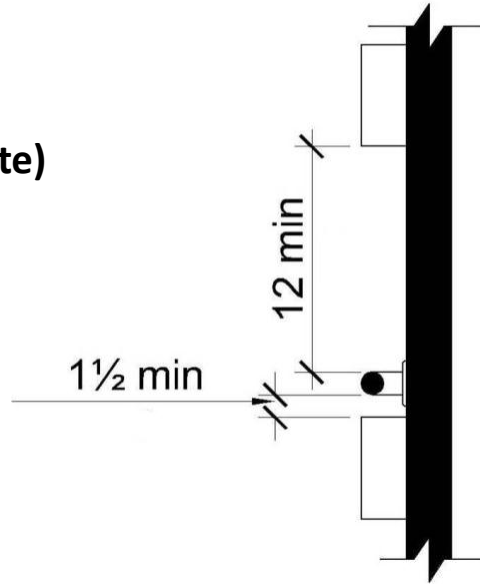
Clearances:

1 ½" behind (absolute)

1 ½" min. below

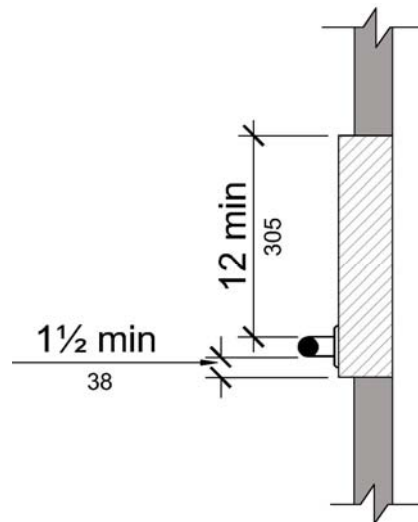
New:

12" min. above



Grab Bars

Minimum amount of wall surface that must be 1 ½ inches away from a grab bar.



46

Toilet Paper Dispensers

Common problem: large dispensers above grab bar impact usability



47

Toilet Paper Dispensers

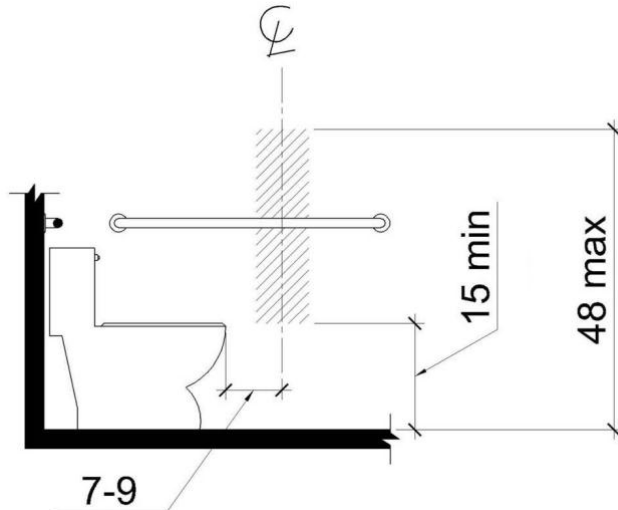
... below bar they can be out of reach range and obstruct space at WC



48

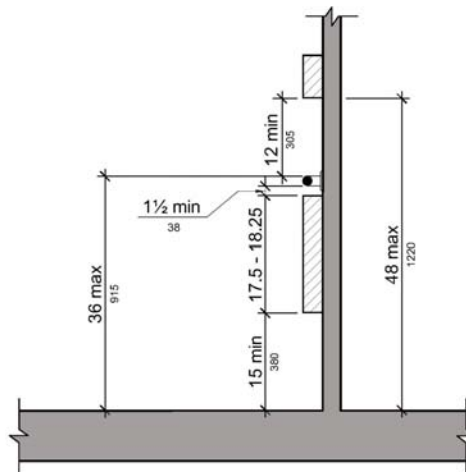
TP Dispenser

Dispenser location



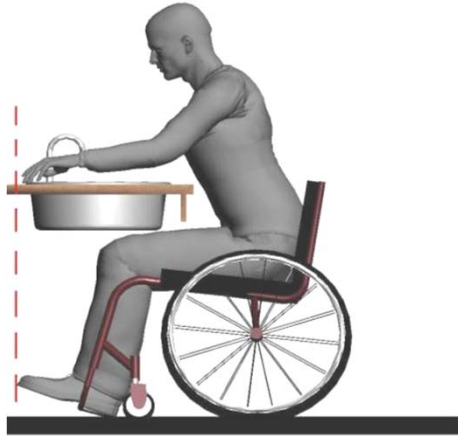
TP Dispenser

Dispenser Outlet Location



Lavatories

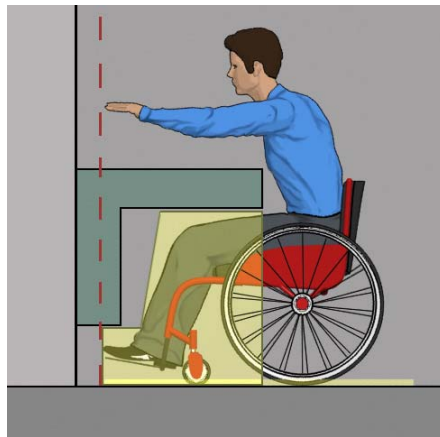
Locate controls & dispensers above, not beyond, usable CFS to be within reach



51

Lavatories

Knee and Toe space cannot go beyond the CFS for controls to be within reach



52

Lavatories

Tip: Avoid hospital style lavatories with deep projections



They take up more space and require a greater reach to faucet controls and dispensers

53

Lavatories

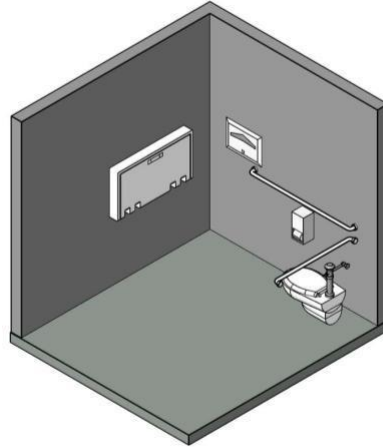
Recommendation:
Where all lavatories have knee clearance, protect all piping underneath.



54

Baby Changing Tables

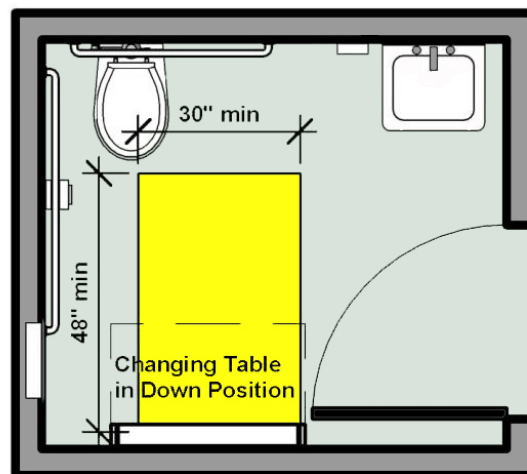
Location:
outside fixture and
door maneuvering
clearances (in
stowed position)



55

Baby Changing Tables

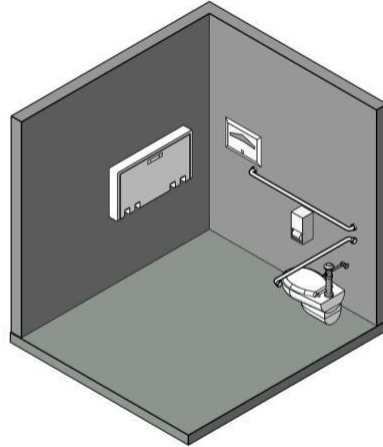
**Clear floor space
(forward
approach)
unobstructed by
other fixtures or
elements**



56

Baby Changing Tables

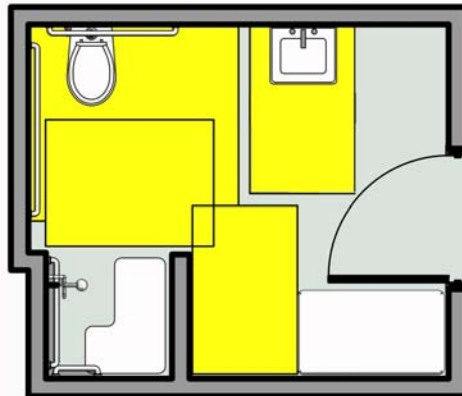
Unfolding and folding must meet operable parts requirements in 309.



57

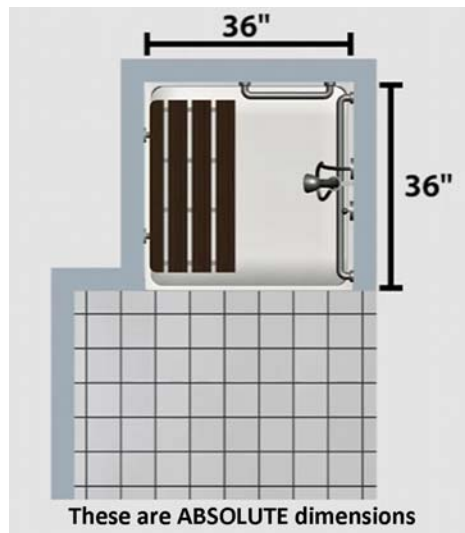
Bathing Rooms

Recommendation:
Add a changing bench meeting 903 in bathing rooms that are not also locker rooms to facilitate dressing.



58

Transfer Shower Compartments



59

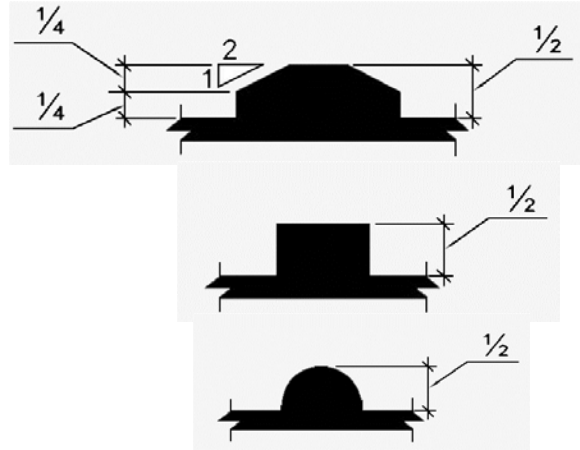
Transfer Shower Compartments

Absolute dimensions are required so that grab bars and controls are within reach for transfer and for use from the shower seat.



60

Transfer Shower Threshold



1/2" max (beveled, vertical, or rounded)

61

Showers Seats

Seat Edge – 3 inch max.

Allows for the shower curtain to be inside the shower compartment and not interfere with the seat.



62

Alternate Roll-In Shower

36 is an absolute dimension so that the controls, grab bars and seat can be used like a transfer shower.

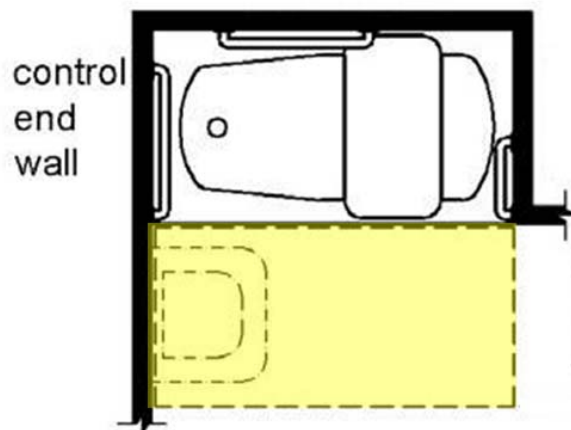


63

Bath Tub (removable seat)

Position of removable seat in tub not specified.

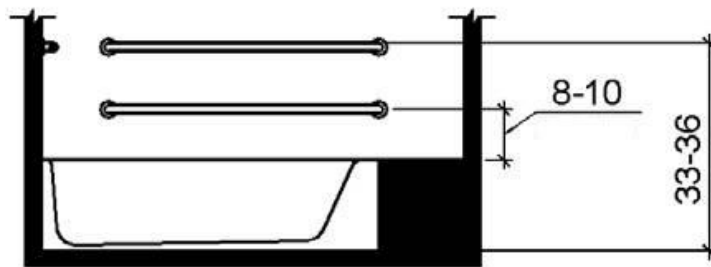
Recommend that the seat is placed as close to the controls as is comfortable for the user.



64

Bath Tub (Permanent Seat)

The permanent seat is used to facilitate transfer into the tub. The two grab bars on the back wall act as a “ladder” to assist with this transfer.



65

Shower Spray Unit

Slide controls for hand-held shower spray unit must meet the operable part requirements in 309. Simple hooks insure they can be within reach.



66

Questions?

You May Type and Submit questions in the Chat Area Text Box or press Control-M and enter text in the Chat Area

67



U.S. Access Board

(800) 872-2253 (voice)

(800) 993-2822 (TTY)

E-mail: ta@access-board.gov

www.access-board.gov

"Advancing Full Access and Inclusion for All"

68



Continuing Education



AIA Provider Number: I017
LA CES Provider Name: Great Lakes ADA Center
AICP Provider Name: Great Lakes ADA Center



Course Title: Accessible Toilet and Bathing Facilities - Advanced session
Course Number: GL20140710
Date: July 10th, 2014



Credits earned on completion of this course will be reported to **AIA CES** for AIA members and **LA CES** for those with an LA number. Certificates of Completion are available upon request.

This course is registered with **AIA, LA CES, and AICP** for continuing professional education. As such, it does not include content that may be deemed or construed to be an approval or endorsement by the professional organizations of any material of construction or any method or manner of handling, using, distributing, or dealing in any material or product.

Questions will be addressed at the conclusion of this presentation.

69

Thank you for participating in today's webinar



Next session:

August 7, 2014

"Accessible Routes" - Advanced Session

www.accessibilityonline.org

(877) 232-1990 (v/TTY)

70